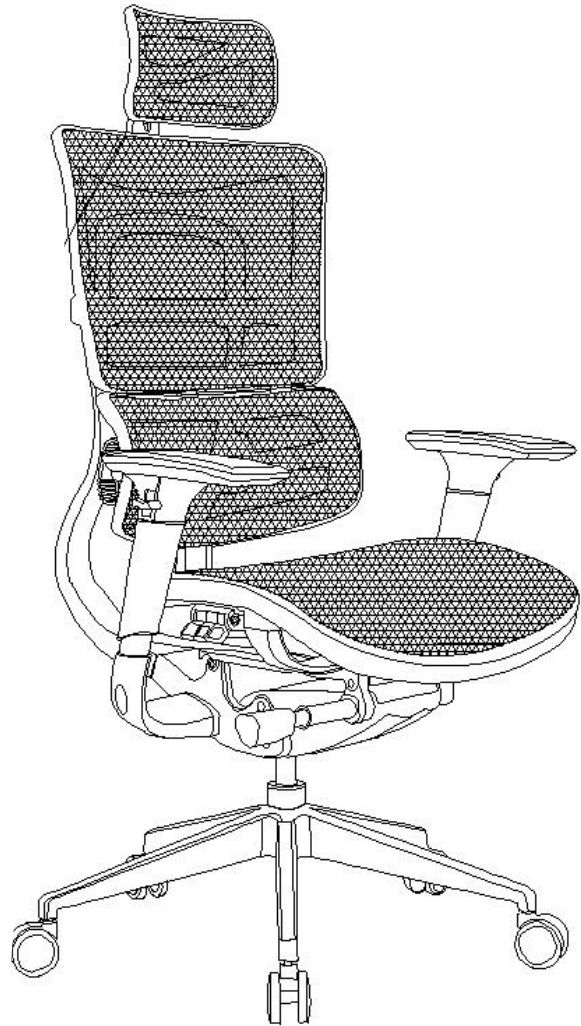


# Architect Executive Chair



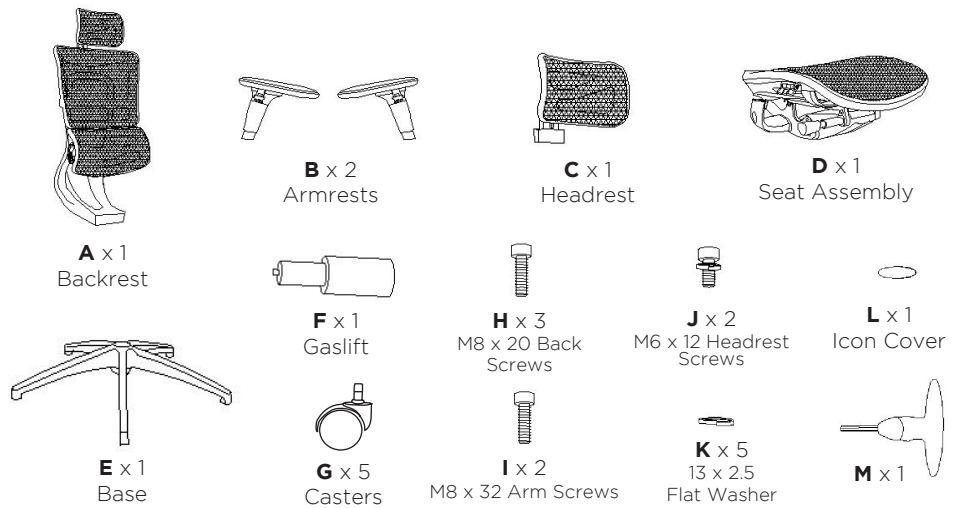
**SCAN HERE**  
to see additional  
information and  
product videos



### Tools Required

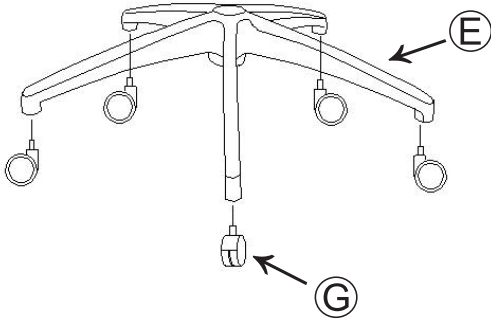
Allen key provided.  
No additional tools required.

### Parts Included



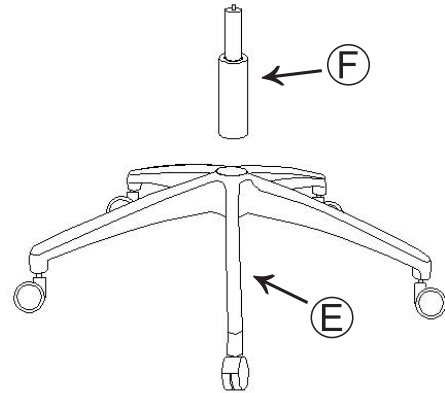
### Step 1

Insert casters (G) into base (E).



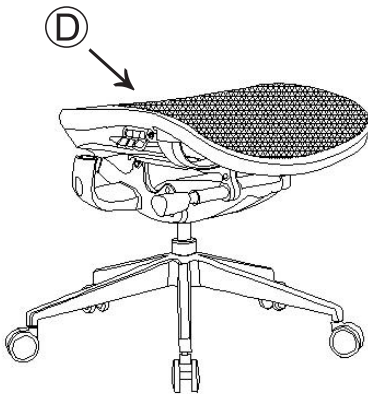
### Step 2

Insert gaslift (F) into base (E).



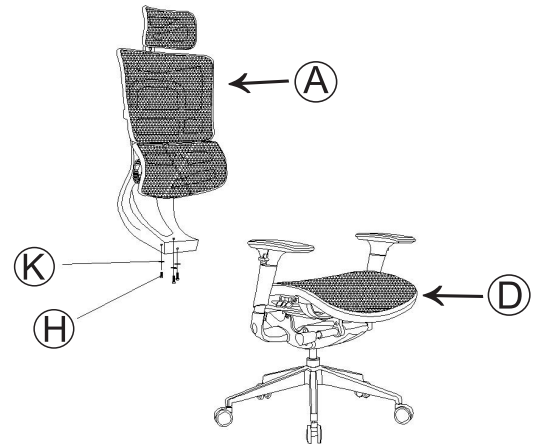
### Step 3

Place seat assembly (D) gaslift and base.



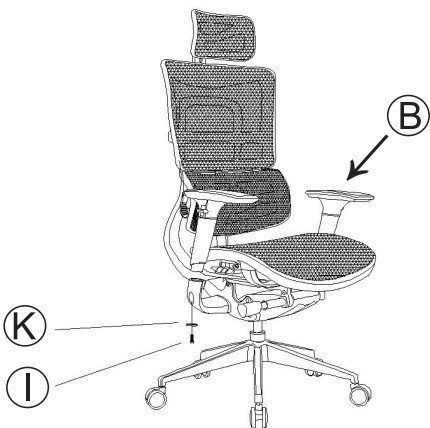
### Step 4

Install backrest assembly (A) to mechanism on seat assembly (D) using 3 back screws (H) and 3 flat washers (K). Tighten using Allen Key.



### Step 5

Install left & right arms (B) as marked using arm screws (I) & flat washers (K), tighten using Allen Key.



### Step 6

Install headrest using 2 screw (J) and tighten with Allen Key, install Icon screw cover (L).

